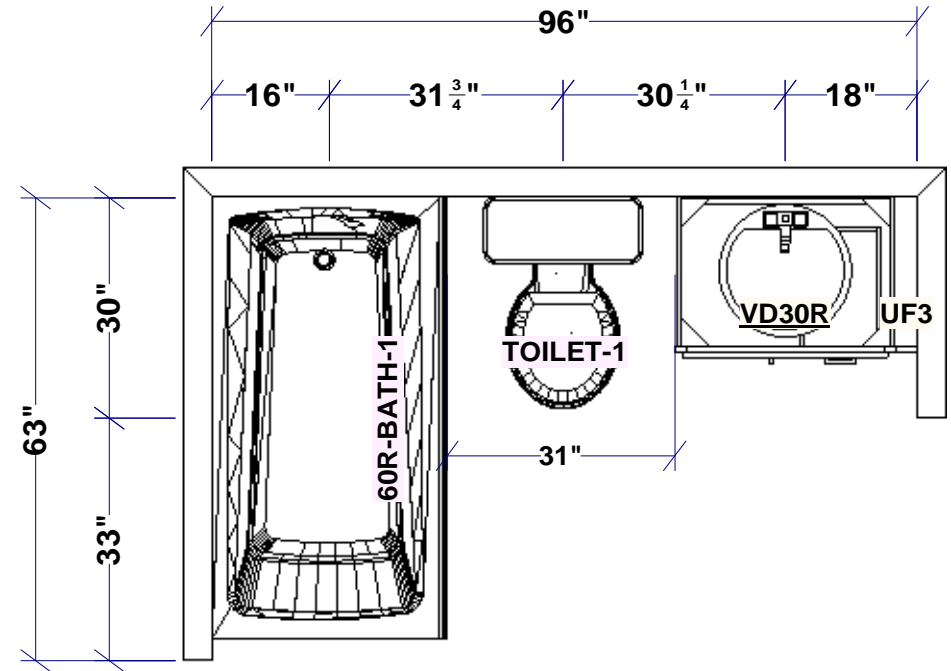
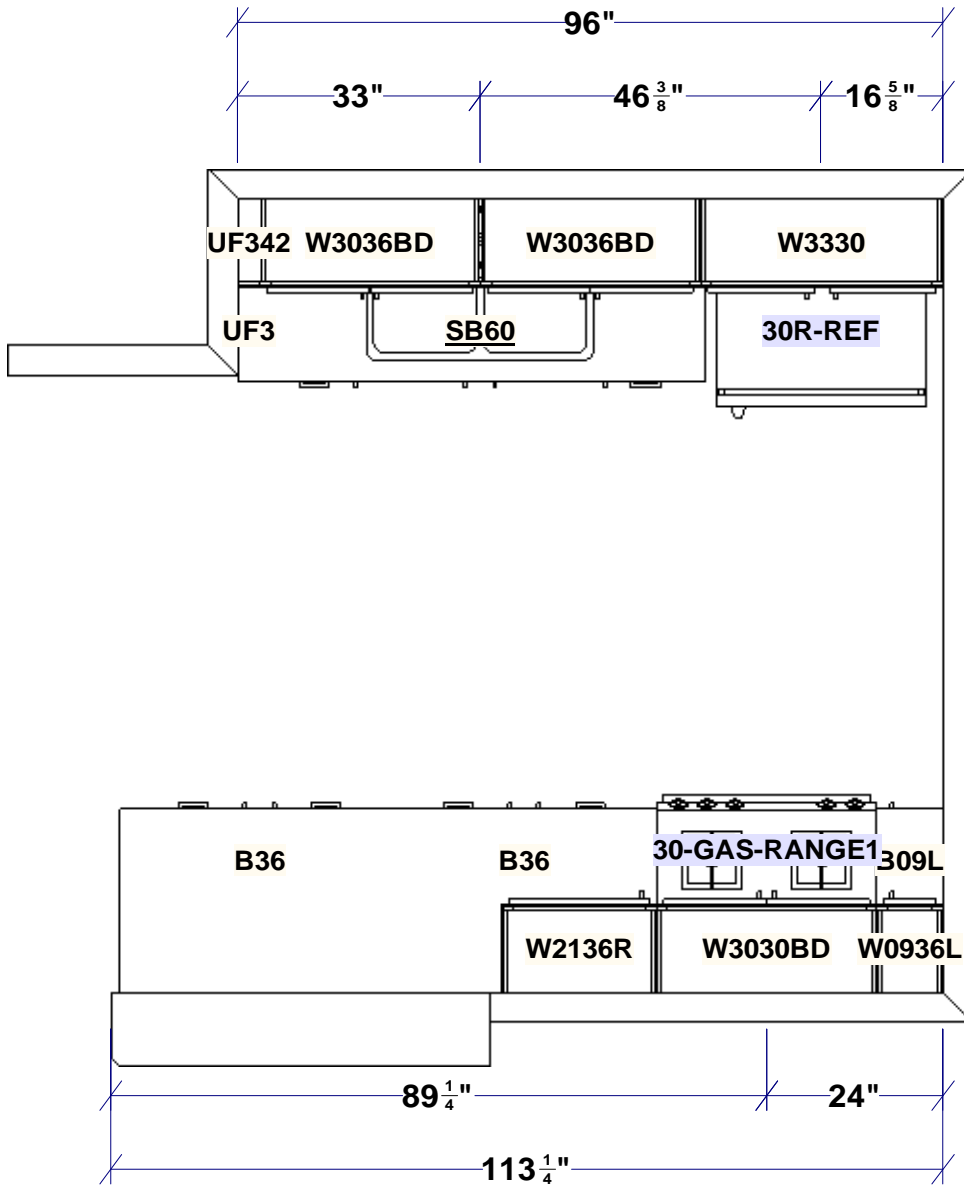


APPENDIX C

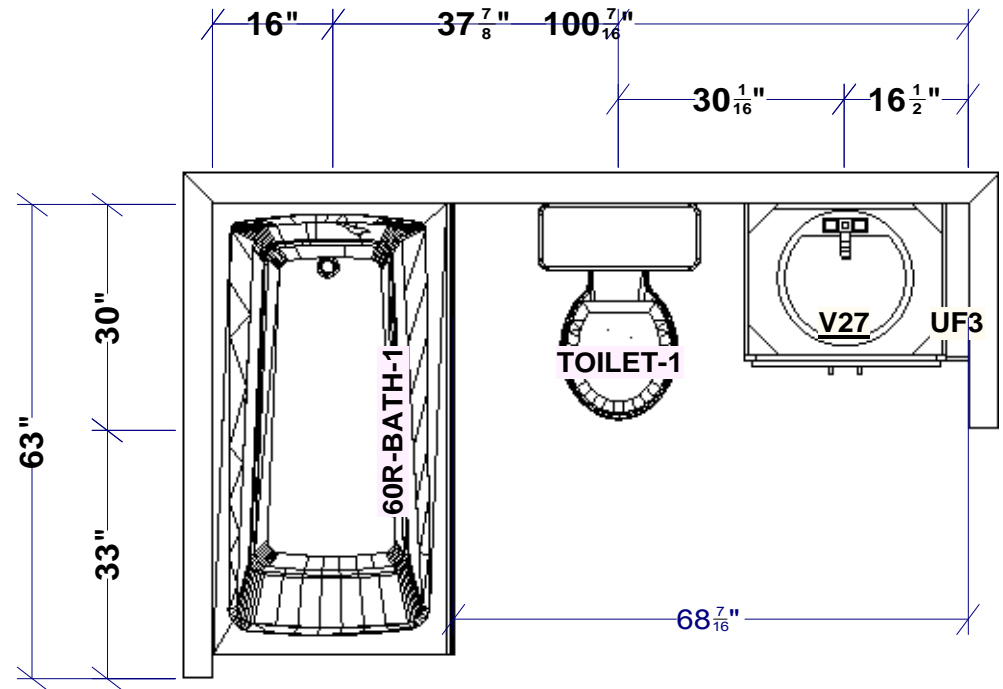
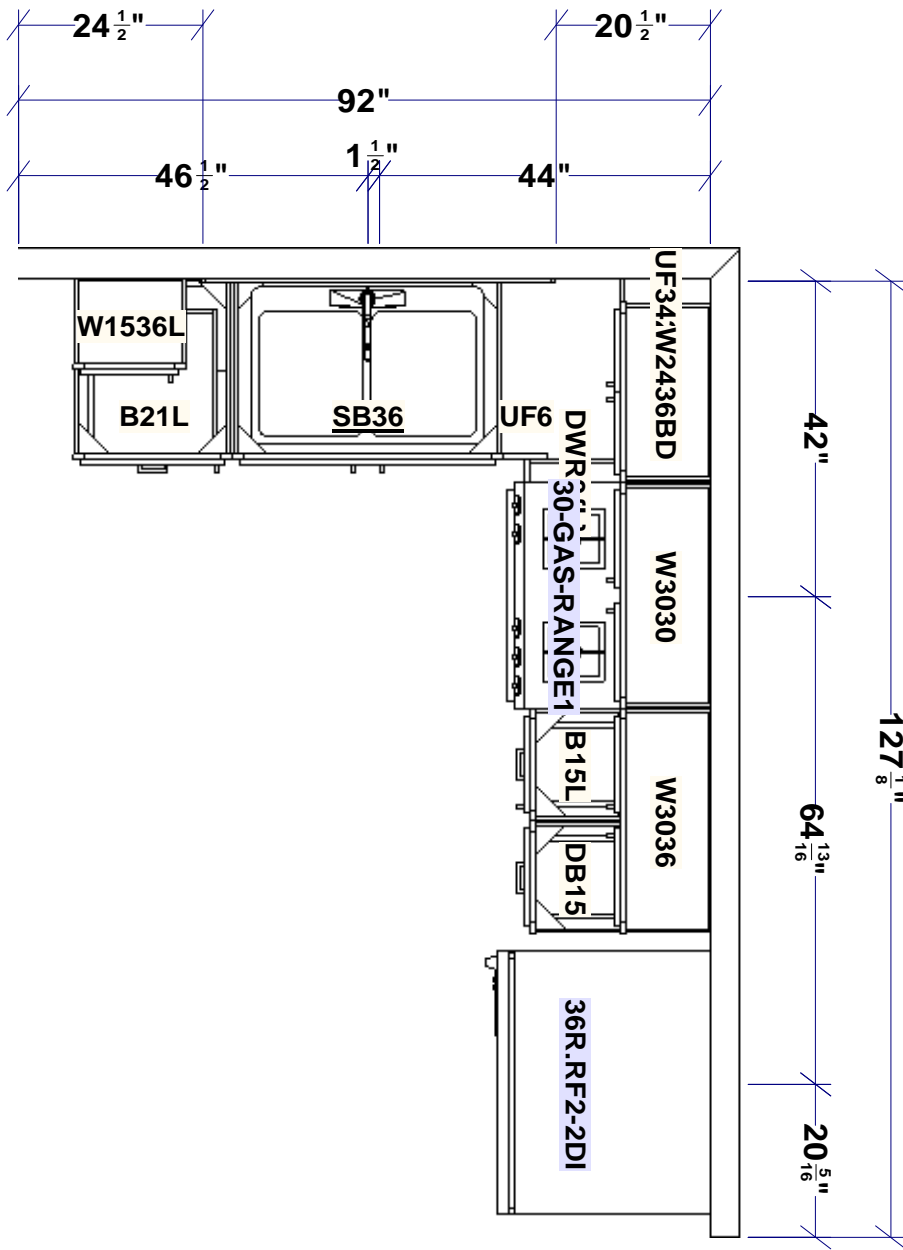


ESPERANZA TYPICAL 1 BED UNIT

All dimensions \_size designations given are subject to verification on job site and adjustment to fit job conditions.

This is an original design and must not be released or copied unless applicable fee has been paid or job order placed.

Designed: 4/4/2007  
 Printed: 1/27/2011

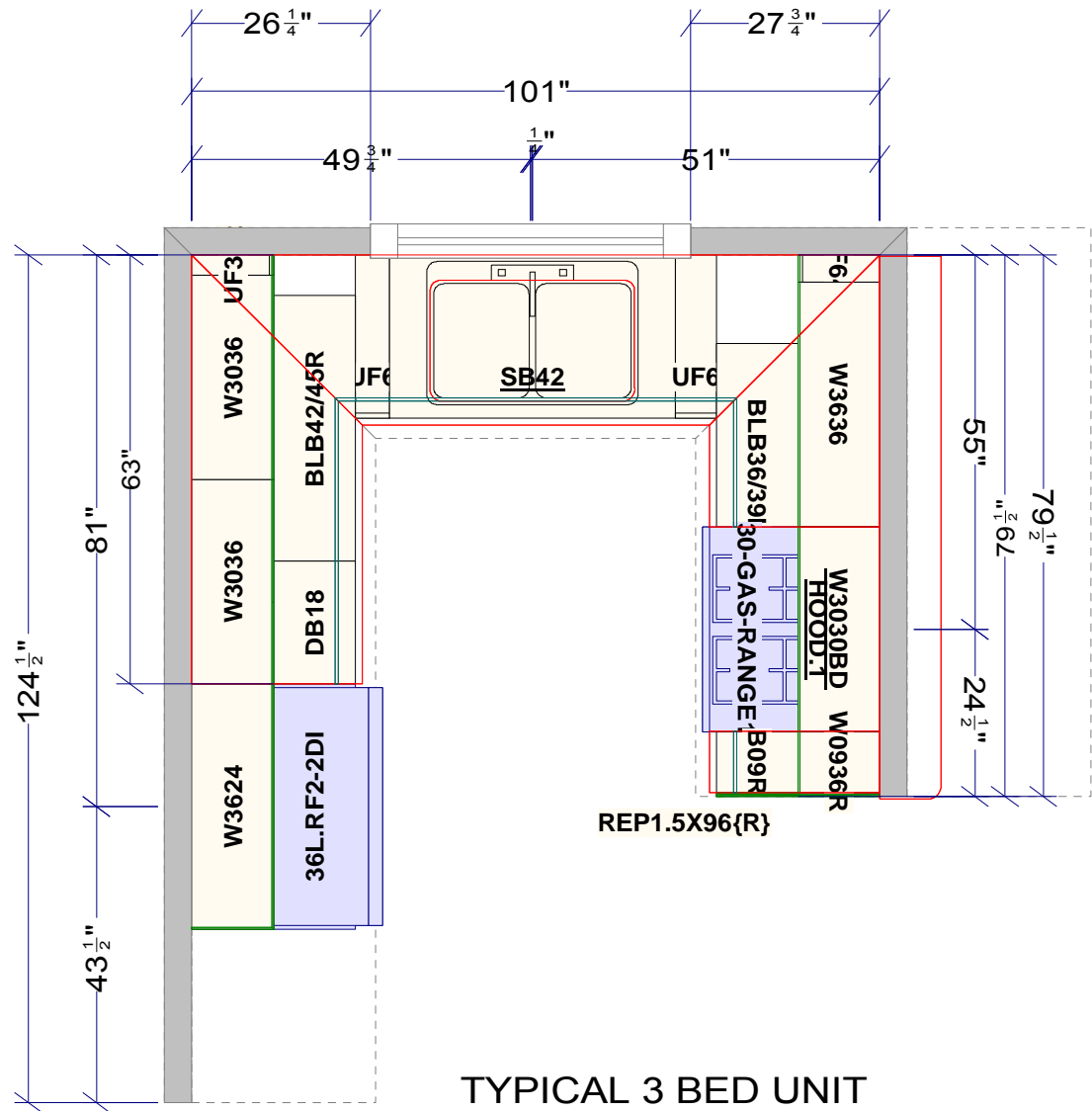
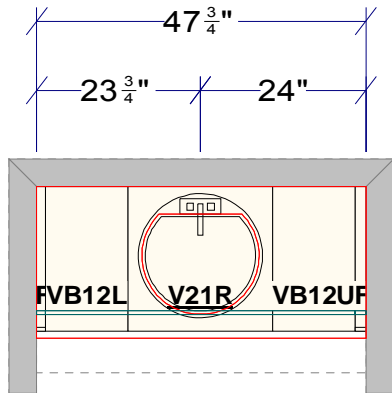
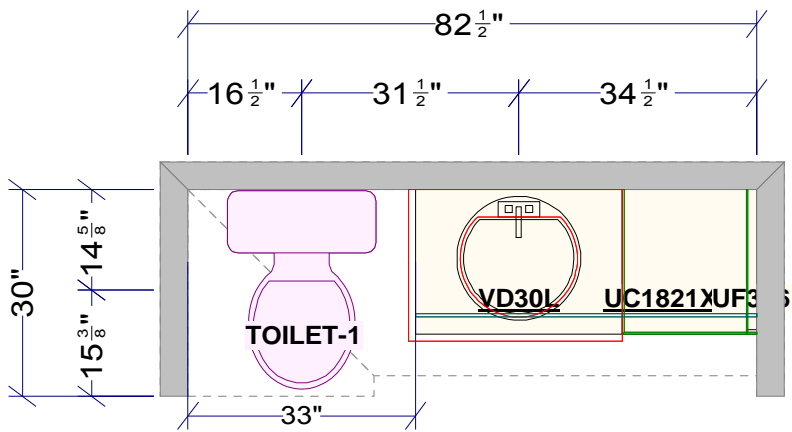


### ESPERANZA TYPICAL 2 BED

All dimensions \_size designations given are subject to verification on job site and adjustment to fit job conditions.

This is an original design and must not be released or copied unless applicable fee has been paid or job order placed.

Designed: 4/4/2007  
Printed: 1/27/2011

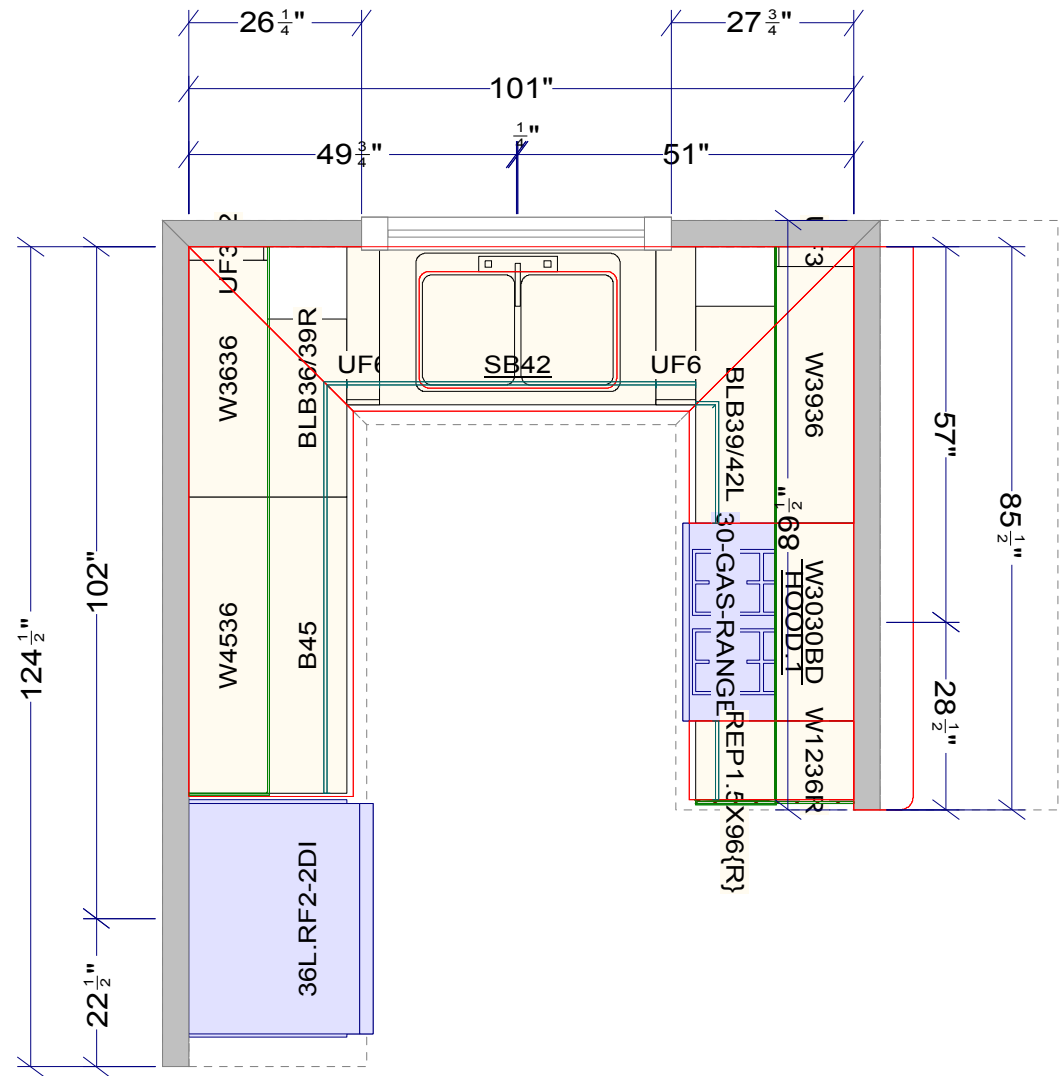
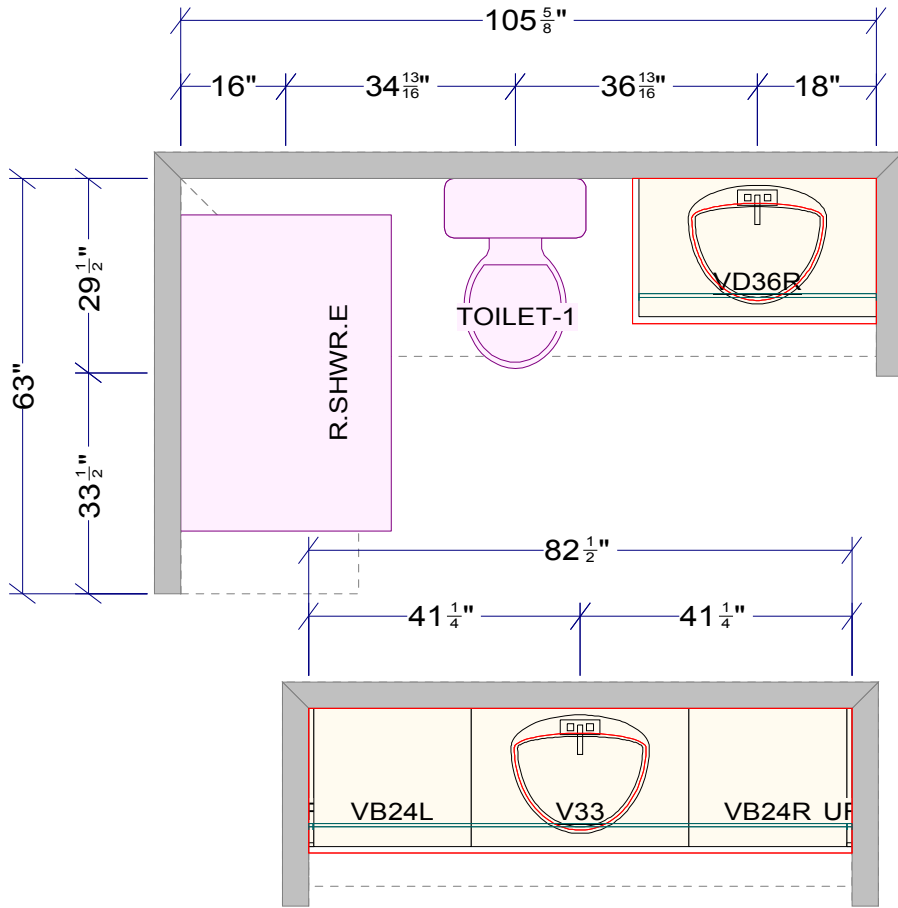


TYPICAL 3 BED UNIT

All dimensions \_size designations given are subject to verification on job site and adjustment to fit job conditions.

This is an original design and must not be released or copied unless applicable fee has been paid or job order placed.

Designed: 4/4/2007  
Printed: 1/27/2011

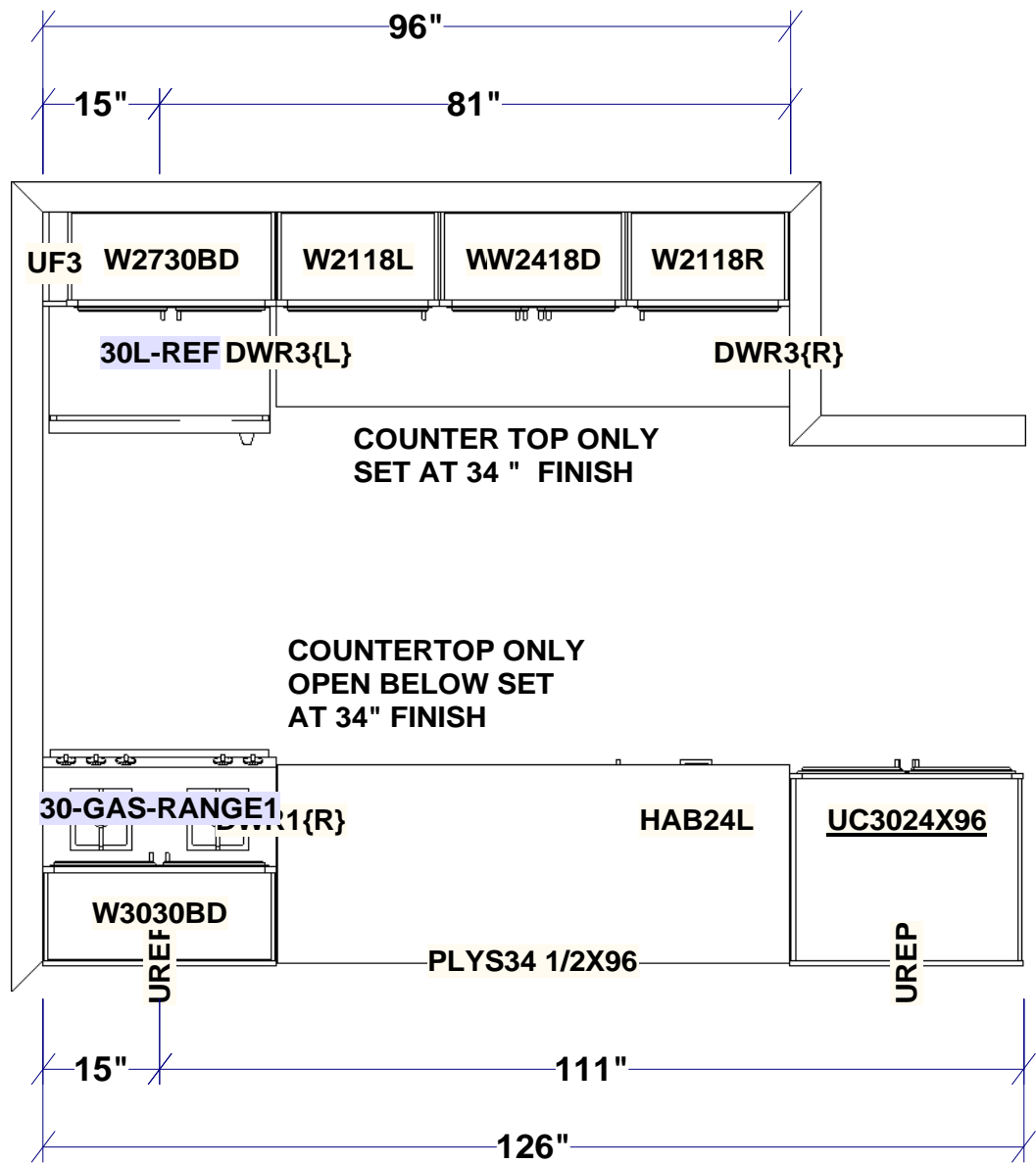


TYPICAL 4 AND 5 BED UNIT

All dimensions \_size designations given are subject to verification on job site and adjustment to fit job conditions.

This is an original design and must not be released or copied unless applicable fee has been paid or job order placed.

Designed: 4/4/2007  
Printed: 1/27/2011

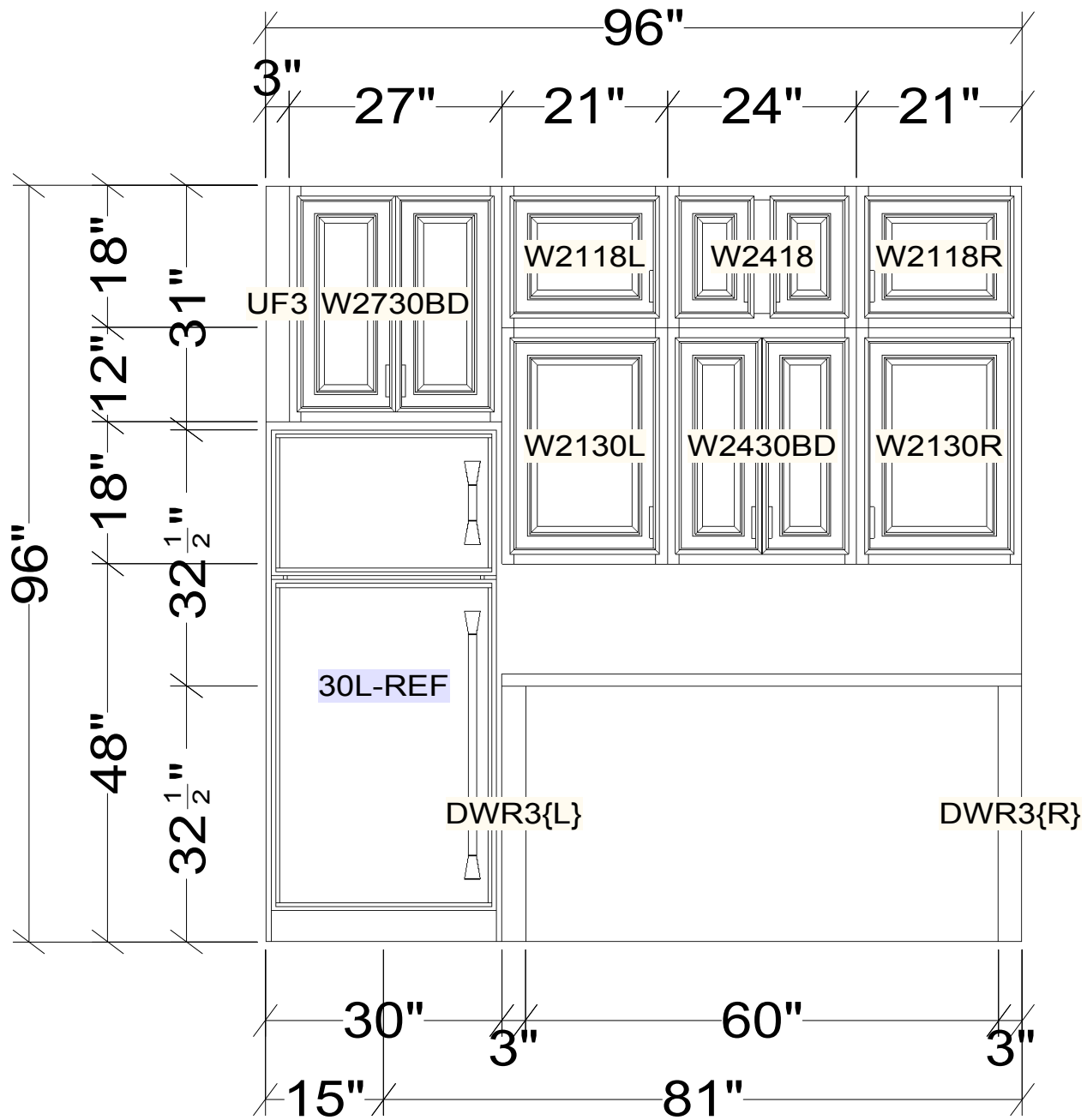


## TYPICAL HANDICAPPED ADAPTABLE

All dimensions \_size designations given are subject to verification on job site and adjustment to fit job conditions.

This is an original design and must not be released or copied unless applicable fee has been paid or job order placed.

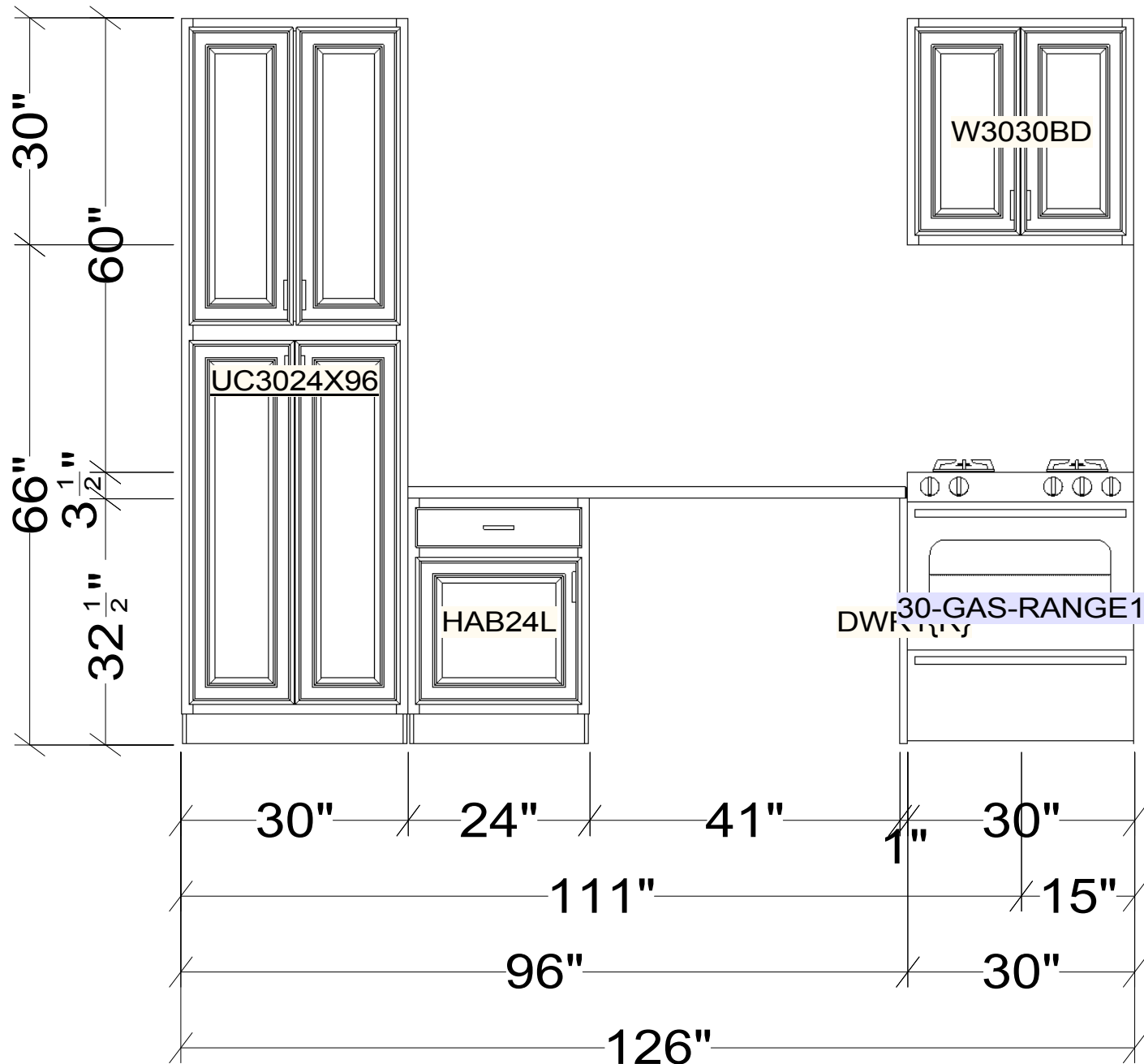
Designed: 4/4/2007  
Printed: 1/27/2011



All dimensions \_size designations given are subject to verification on job site and adjustment to fit job conditions.

This is an original design and must not be released or copied unless applicable fee has been paid or job order placed.

Designed: 4/4/2007  
Printed: 1/27/2011



All dimensions \_size designations given are subject to verification on job site and adjustment to fit job conditions.

This is an original design and must not be released or copied unless applicable fee has been paid or job order placed.

Designed: 4/4/2007  
Printed: 1/27/2011